



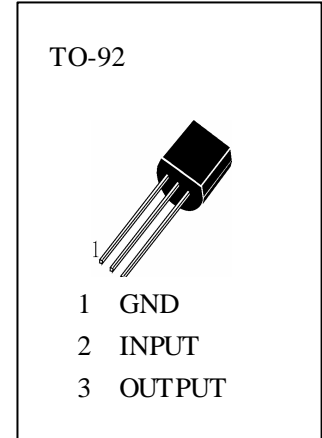
# H79L15

## Description

H79L15 is the three terminal negative Regulators with single chip, and in a wide range of applications. It supplies fixed output voltages of -15V, deliver over 100mA output current ,and employs internal current limiting, thermal shut down and safe operating area protection, making it essentially indestructible.

## Features

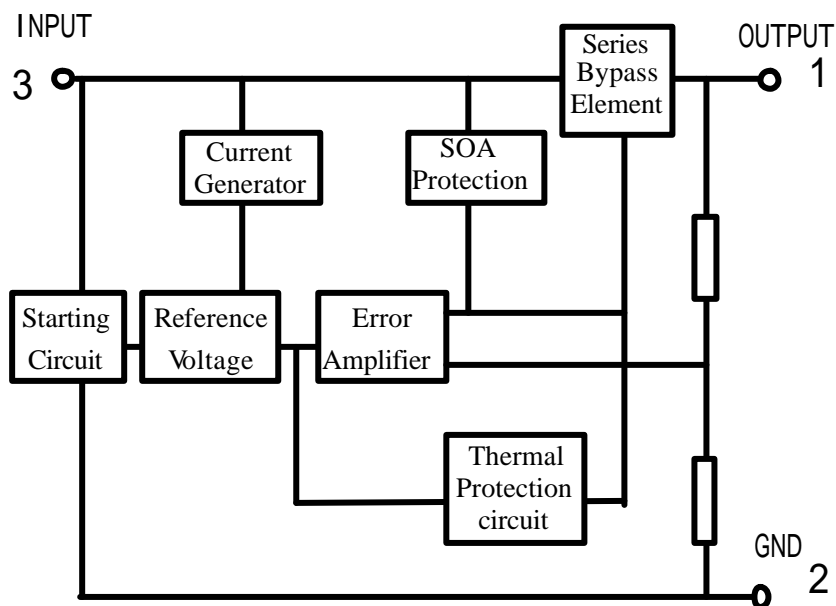
- Output current up to 100mA
- Low noise
- High Ripple Rejection
- Power Amplify Output Protection
- Thermal Overload Protection
- Current Overload Protection and Short Circuit Protection



## Absolute Maximum Ratings ( $T_a=25^\circ\text{C}$ )

$V_{IN}$ —Input Voltage.....	-35V
$T_{amb}$ —Operating Temperature Range.....	-20~85
$T_{stg}$ —Storage Temperature Range.....	-55~150
$T_j$ —Junction Temperature.....	-55~150

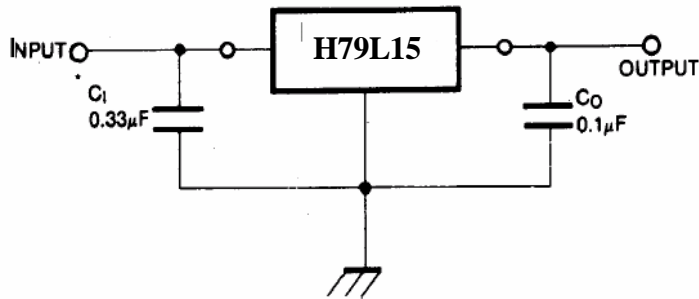
## Internal Block Diagram





# H79L15

## Typical Application



## ELECTRICAL CHARACTERISTICS

( Unless otherwise specified,  $V_{IN}=-23V, I_o=40mA, 0$   $T_j$  125 ,  $C_{IN}=0.33 \mu F, C_{OUT}=0.1 \mu F$  )

Symbol	Parameter	Min.	Typ.	Max.	Unit	Conditions
$V_o$	Output Voltage	-14.4	-15.0	-15.6	V	$T_j=25$
		-14.25		-15.75		$-30V \ V_{IN} \ -17.5V, 1mA \ I_o \ 40mA$
		-14.25		-15.75		$V_{IN}=-23V, 1mA \ I_o \ 70mA$
$V_o$	Line Regulation			300	mV	$T_j=25$ , $-30V \ V_{IN} \ -17.5V$
				250		$T_j=25$ , $-30V \ V_{IN} \ -27V$
$V_o$	Load Regulation			150	mV	$T_j=25$ , $1mA \ I_o \ 100mA$
				75		$T_j=25$ , $1mA \ I_o \ 40mA$
$I_o$	Quiescent Current			6.5	mA	$T_j=25$
$I_o$	Quiescent Current Change			1.5	mA	$-30V \ V_{IN} \ -20V$
				0.1		$1mA \ I_o \ 40mA$
$V_N$	Output Noise Voltage		90		$\mu V$	$T_j=25$ , $10Hz \ f \ 100kHz$
RR	Ripple Rejection	34	39		dB	$T_j=25$ , $-28.5V \ V_{IN} \ -18.5V, f=120Hz$
$V_D$	Dropout Voltage		1.7		V	$T_j=25$